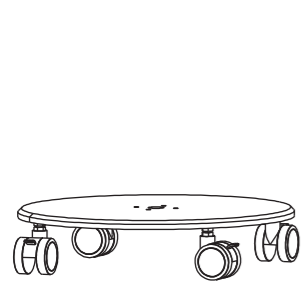
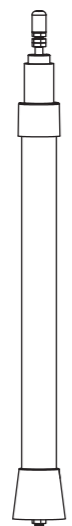


INSTALLATION HARDWARE

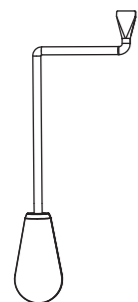
安装配件



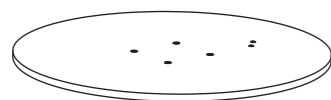
X 1



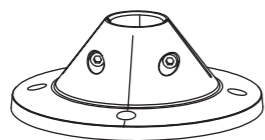
X 1



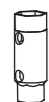
X 1



X 1



X 1



X 1



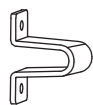
X 2



X 8



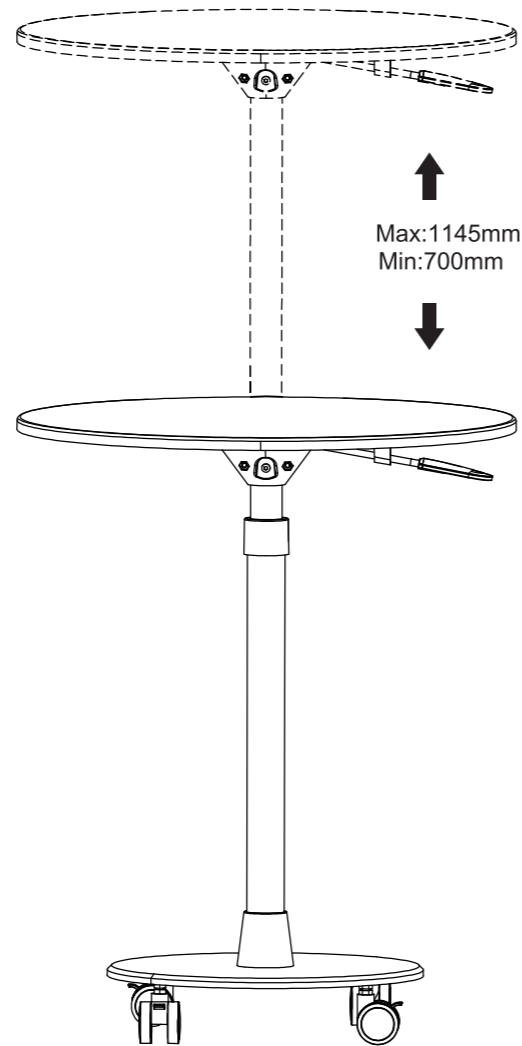
X 4



X 1



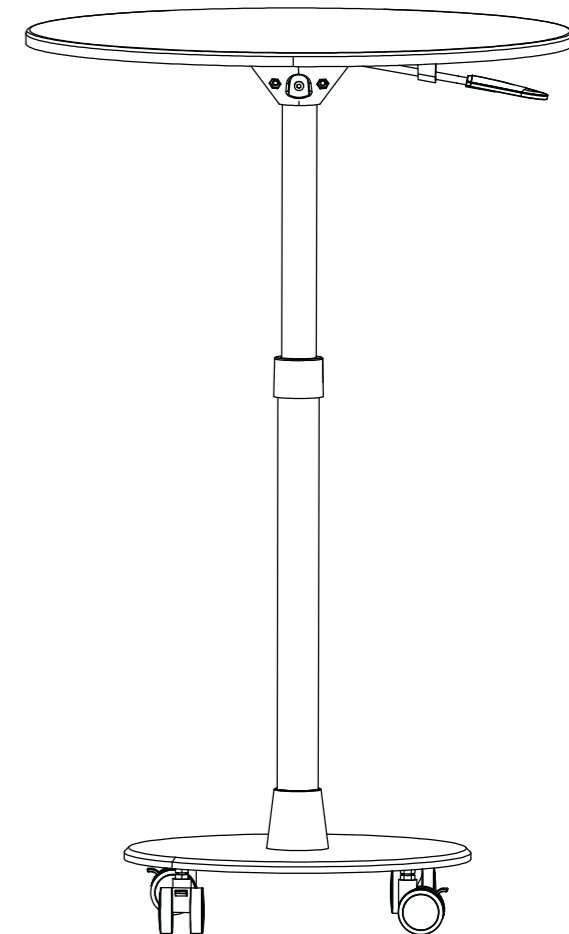
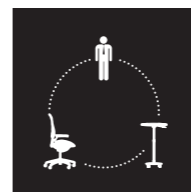
2.5 / 4 / 5MM X1



WARNING

警告

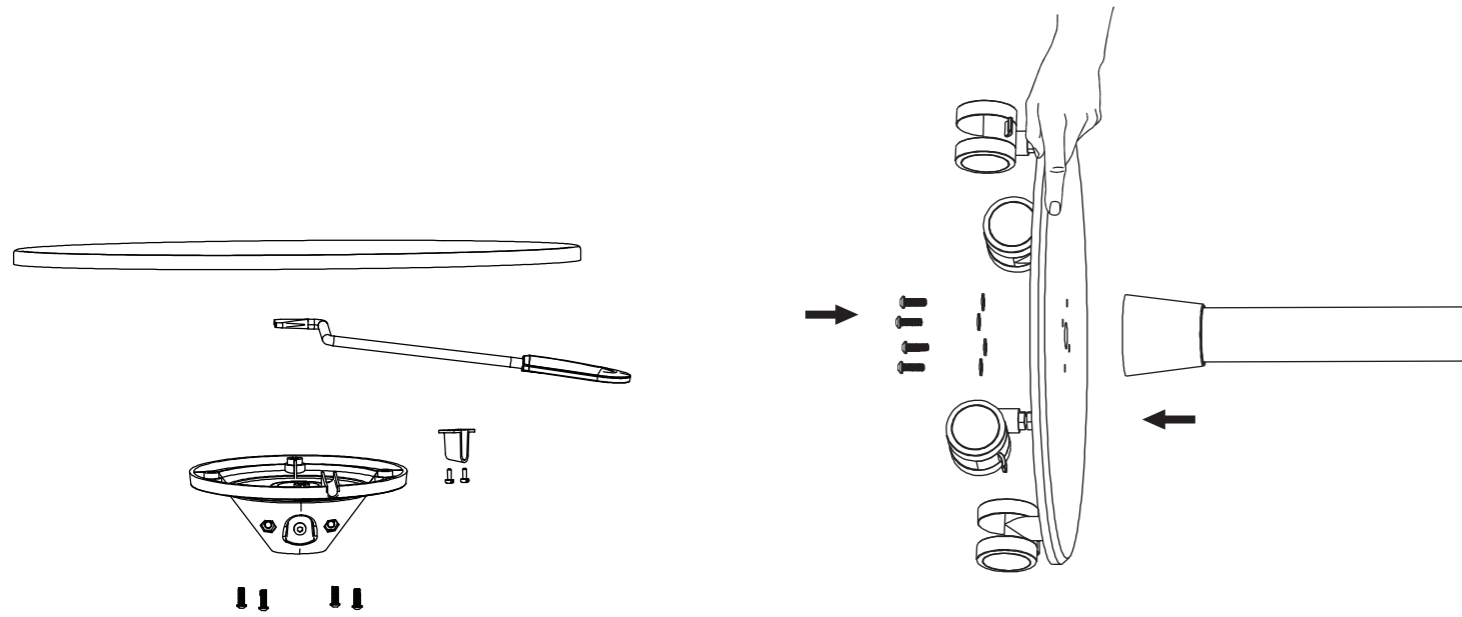
- * Make sure to read the manual before installation and fully understand how to install, if you have any questions, please visit our website or contact the relevant after-service.
- * Please use the supporting tools when installing. It is better for installation by 2 people. Please be careful.
- * This product contains small parts, keep these away from children.
- * 确定安装前已阅读完说明书并完全懂得如何安装，如不懂其中任何一个安装步骤，请登录网站或者联系相关的售后人员。
- * 安装时请务必使用配套的工具，至少由两人来协作完成安装，请注意安全。
- * 本产品含有一些小型零件，若不慎吞咽，将存在窒息危险，请将这些小配件远离儿童放置。



UP-10T Installation Instructions

安装说明

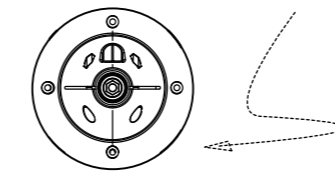
STEP.1



Socket wrench
套筒扳手

Screw on the nut
and tighten by
clockwise.
顺时针装上螺母
再锁紧。

Cover the tray
(align with the nut)
套上底盘 (对齐六角螺母)



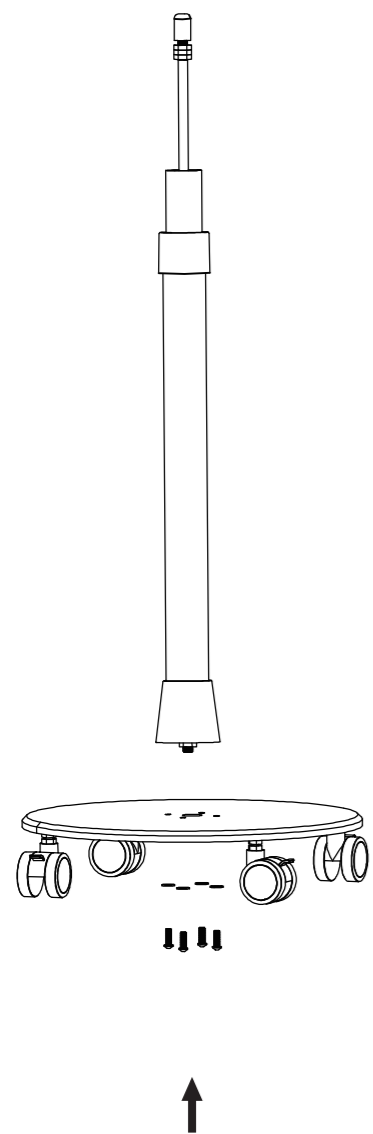
2.5MM



Tighten the screws as drawn,
lift the pole height
(about 200mm).

锁紧螺丝后预先调高桌面高度
(升高200mm) 后, 再进行下
一安装步骤。

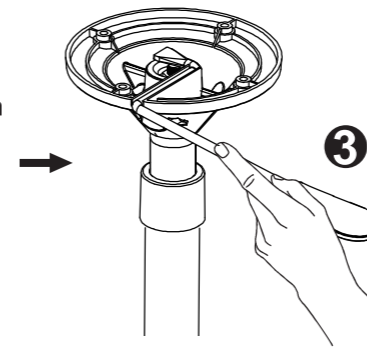
STEP.2



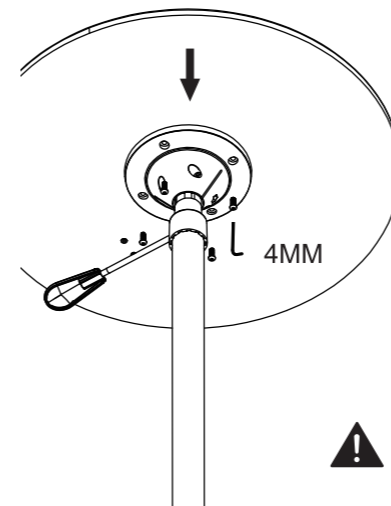
Detach the cy linder cap,
take out the nut (A) as drawn.

取下气缸保护帽,
逆时针取出最上面的螺母(A)。

Place the handle on
the tray
安装手柄



STEP.3



Keep the holes of board
align with that of the tray
and handle,tighten the
screws.

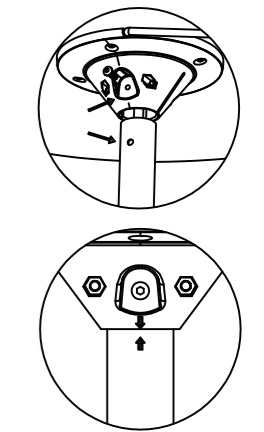
注意: 请将桌板对齐
底盘及手柄孔位,
再依次锁紧螺丝。

4MM



Align pole hole with the tray(A).

锁紧螺丝时需确保立柱孔和托盘
螺丝孔对齐(A),
否则无法螺丝无法锁到位。



5MM

